



August 2019 Newsletter



Charter #2786



June Fun Fly Report: 7-11

The UteRC Fun Fly on 7/13 was billed as a 7-11 contest, but threatening weather kept people away with a very minor rain squall that did no more than wet the windshields but then turned into perfect flying weather. Steve Wilson, Keith Hiatt, Ed, Rick Marshall, and Gary Stam showed up



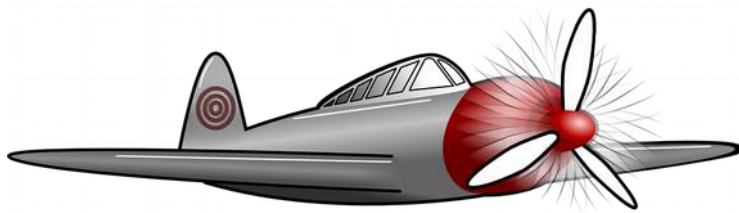
Rick's Funtana which he crashed at the 7-11 contest last year, is repaired, and back flying.



Rick Marshall's little speed demon, a Mini Ultra Stick built up kit plane, is way over powered.



Rick flying his Funtana.





Winds had changed to coming out of the north and had calmed enough for Keith Hiatt, so he brought out his Timber for a flight.



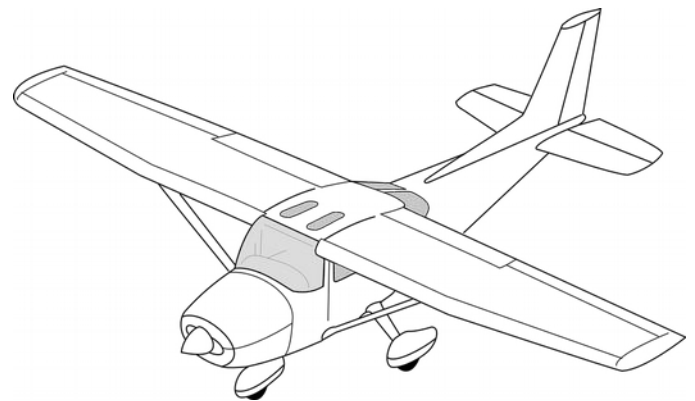
Keith helping Gary Stam tune up the motor on Gary's Goldberg Tiger.



Keith heads for the flight line with the motor running on Gary's Goldberg Tiger.



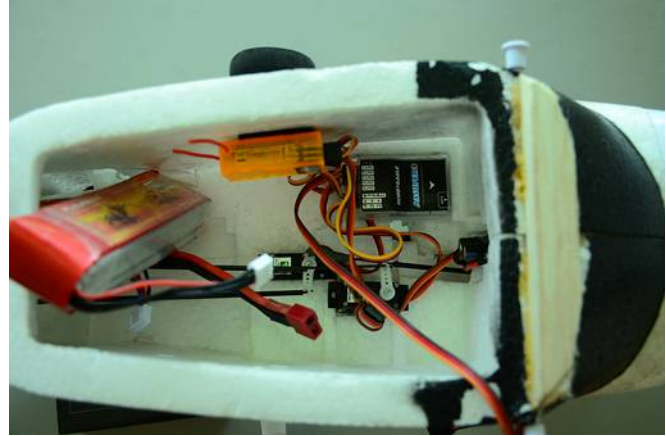
Gary's Goldberg Tiger penetrating into the wind on take off. The wind just didn't bother this fast airplane.



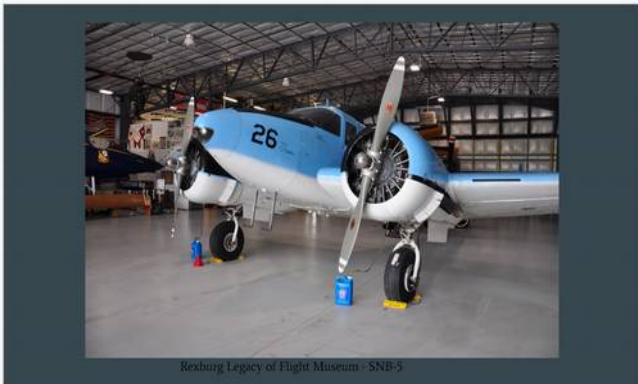
July Club Meeting:



Steve Wilson's Glasair Sportsman, an earlier Horizon Hobby SAFE technology model. The receiver in the plane had died and Steve found that a replacement was not available. Since the airframe was still in good shape, he just plugged in an OrangeRx and installed a more capable version of the HobbyEagle stabilizer that Gerhard Roos talked about last month.



The OrangeRx and HobbyEagle stabilizer installed in the roomy interior of the Sportsman.



James Baer did a presentation on his favorite plane the "Twin Beech" or Beech 18



Steve used a good deal of the Show N Tell time to discuss the newer Hobby Eagle stabilizer and its extensive capabilities that can be set up with a PC and the update software available for the stabilizer.

Regular Club Meetings and Events

Participate in our regular club meetings, held on the second Thursday of the month (except for December), where you can show off your current projects, view presentations on many aspects of model aviation, & participate in the direction the club is headed. They are held at the Murray Heritage Senior Center (10 E 6150 South, One block West of State Street)

Meeting and Events Schedule:

- August 10, 2019 – Balloon Bust/Egg Drop Fun fly at Club field (Time TBD)
- August 17, 2019 – Eagle Mountain Fly In (More details on the web, Check before you go!)
- September 28, 2019 – Night Fly at the Club field (Evening Time)
- October 12, 2019 – Fun Fly at SLC Modelport (Time TBD)
- December ??, 2019 – Christmas Party
- January 1, 2020 – Annual Freeze fly at SLC Modelport

Newsletter

What do you want to see in the newsletter? Interested in sharing some of your knowledge, tips and tricks? Want to brag about an awesome experience or build? Drop me an email at photobaer@gmail.com

2019 Club Officers

- | | |
|--------------------------|--------------|
| • Acting President: | Steve Wilson |
| • Secretary / Treasurer: | Keith Hiatt |
| • Fun Fly Coordinator: | Rick Marshal |
| • Safety Officer: | Gerhard Roos |
| • Photographer: | Ed Stimpson |
| • Newsletter Editor: | James Baer |

Local Hobby Shops

Please, support our local hobby shops. Remember to show your membership card to let them know who it is that is supporting them.



West Valley Hobbies
1765 W 5400 S
Taylorsville, UT 84118
801-964-1700

<http://www.wvhobbies.com/>



Vortex Hobbies
1776 W 10610 S Ste F
South Jordan, UT 84095
801-508-4354
<http://www.vortexhobbies.com/>



9611 South 500 West
Sandy UT 84070
801-572-2702
<https://www.rcplanet.com/>



9860 S 700 E
Sandy, UT 84070
801-572-6082
<http://mrshobby.com/>



High Gear Games & Hobbies
2160 West 4700 South
Taylorsville, Utah
801-964-4031
<https://www.facebook.com/highgearhobby/>